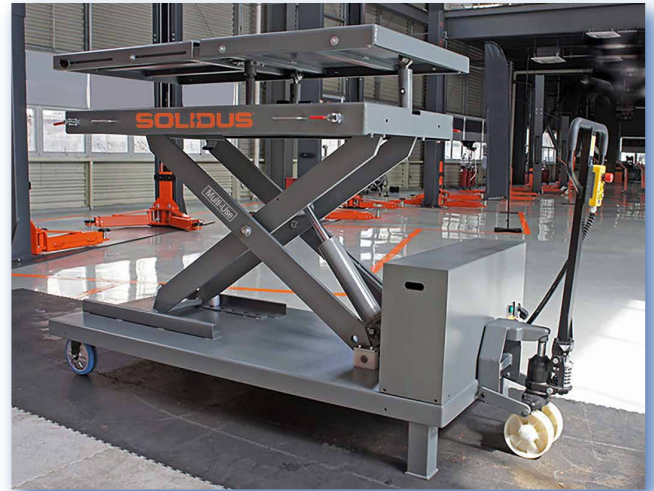




The Solidus **MLT-3 Multi-Use Table** and mobile lifting cart is designed for dismantling and fixing electric vehicles, as well as engines, gearboxes, drive axles, fuel tanks, suspensions and chassis components of traditional vehicles.

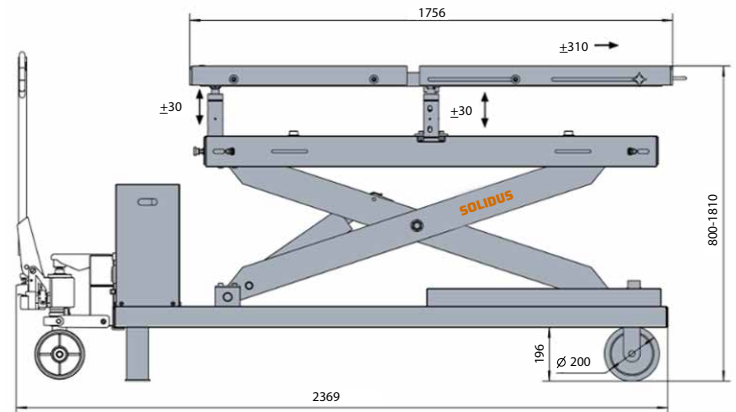
The mobile and compact structure makes it easy to enter and exit the service space.



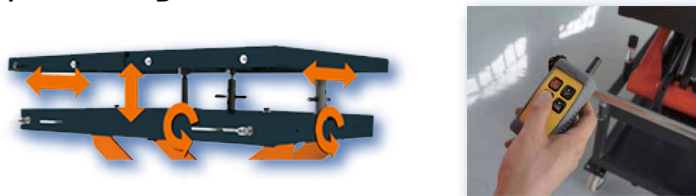
Hydraulic driven  
with mechanical locking protection



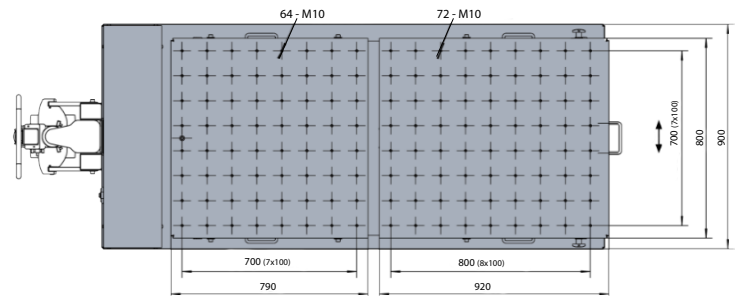
The suspension platform can move freely within a radius of 30mm, while the lower platform can move within a radius of 20mm to satisfy multiple positioning needs.



Maximum lifting capacity = 2700 lbs.



Rotatable and Adjustable with Remote Control



Extendable Platform to 310 mm

Lifting Capacity	2645 lbs.
Lifting Height	32" - 72"
Base to Floor clearance	7.7"
Freq / Volt	50Hz / 220V
Control Voltage	24V



Positioning and fixing components with  
specialized fixtures